

USB Power Converters (USB Socket)



Model: A697

• Rating:	Input:	12V/24V DC
	Output:	1x USB Socket – 5V±5% 4.2A DC
• Insulation Resistance:	DC 500V 100MΩ min.	
• Dielectric Strength:	AC 1500V 1 minute	
• Operating Temperature:	-25°C ~ +60°C	



Model: A698

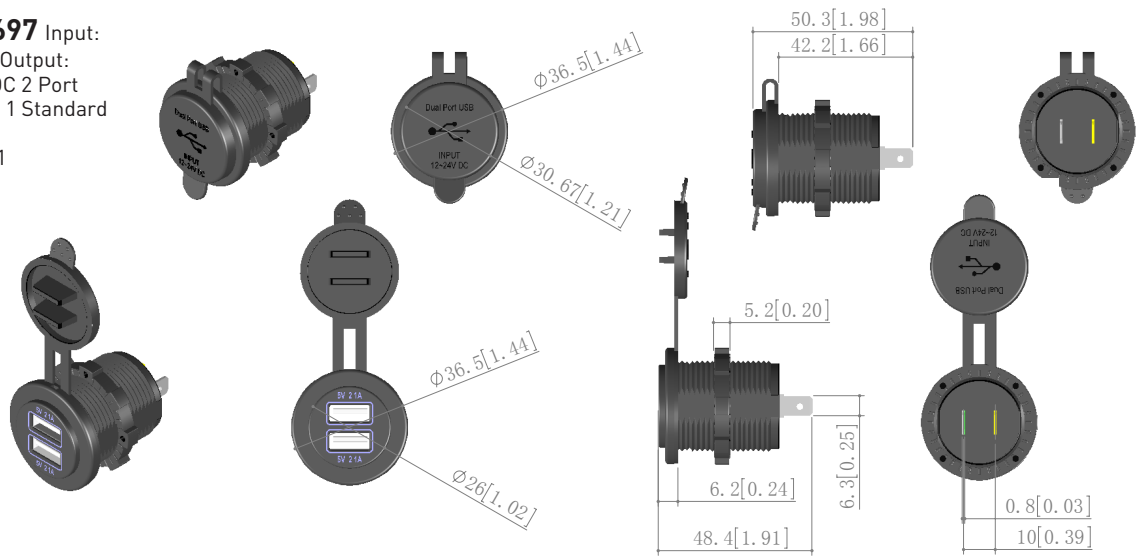
• Rating:	Input:	12V/24V DC
	Output:	1x USB Socket – 5V±5% 4.2A DC
• Insulation Resistance:	DC 500V 100MΩ min.	
• Dielectric Strength:	AC 1500V 1 minute	
• Operating Temperature:	-25°C ~ +60°C	



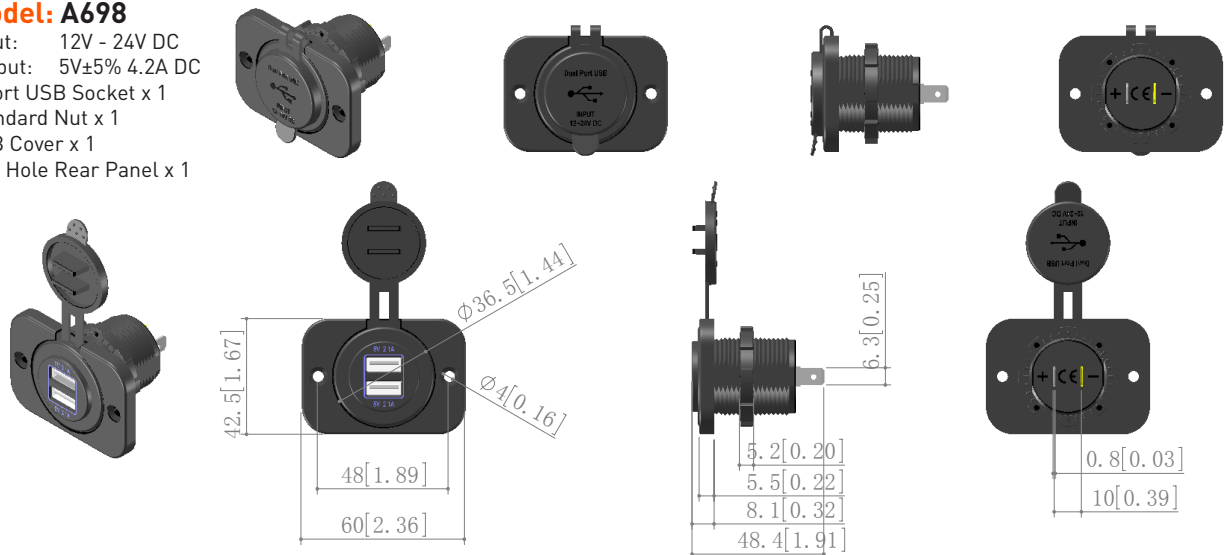
Model: A699

• Rating:	Input:	12V/24V DC
	Output:	1x USB Socket – 5V±5% 4.2A DC
• Insulation Resistance:	DC 500V 100MΩ min.	
• Dielectric Strength:	AC 1500V 1 minute	
• Operating Temperature:	-25°C ~ +60°C	

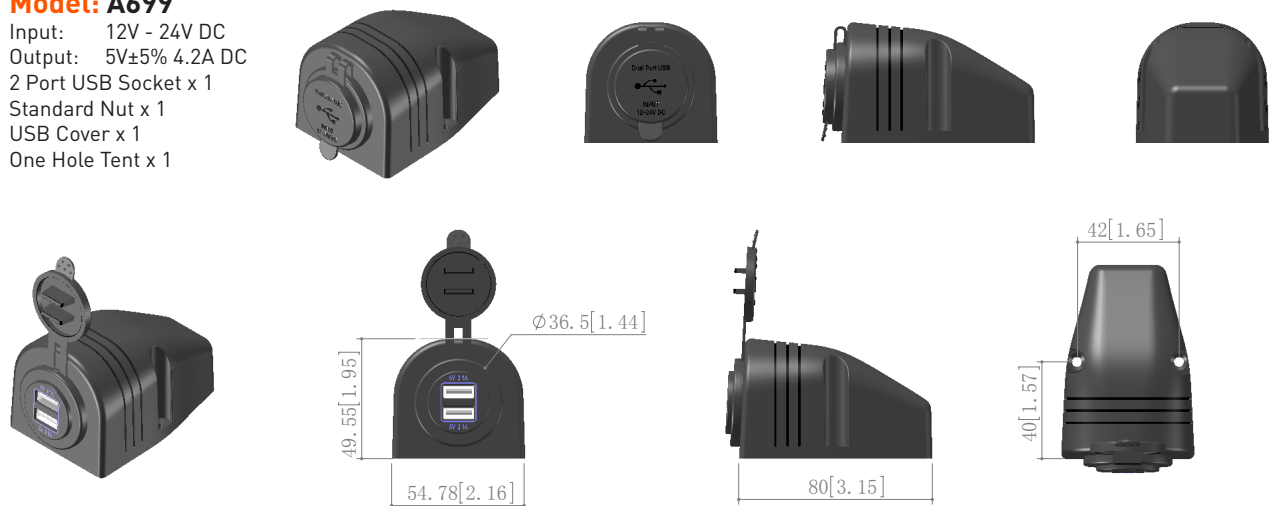
Model: A697 Input:
12V - 24V DC Output:
5V±5% 4.2A DC 2 Port
USB Socket x 1 Standard
Nut x 1
USB Cover x 1



Model: A698
Input: 12V - 24V DC
Output: 5V±5% 4.2A DC
2 Port USB Socket x 1
Standard Nut x 1
USB Cover x 1
One Hole Rear Panel x 1



Model: A699
Input: 12V - 24V DC
Output: 5V±5% 4.2A DC
2 Port USB Socket x 1
Standard Nut x 1
USB Cover x 1
One Hole Tent x 1



USB-C/A • ALU housing

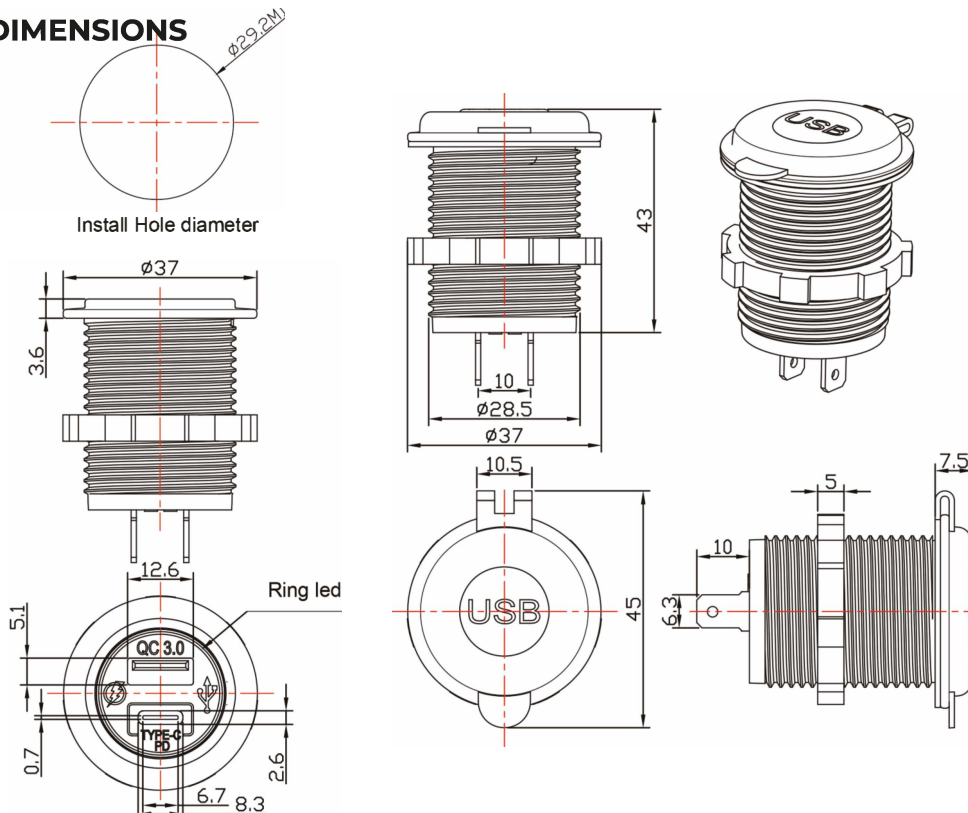
1. USB CONTACT RESISTANCE: <math><100M\Omega</math>
2. WATERPROOF CAP OPENING FORCE: <math><3000GF</math>
3. INSERTION FORCE: <math><1000GF</math>
4. EXTRACTION FORCE: <math><1500GF</math>
5. SALT SPRAY TEST: 8H MIN NACL 5%
6. IMPACT RESISTANCE: 8KG.F MIN
7. TEMPERATURE RESISTANCE: <math>-25^{\circ}C<T<85</math> MIN
8. TOTAL POWER: 36W MAX
9. INPUT VOLTAGE: DC 12V-24V
10. USB-C OUTPUT: 5V=3A, 9V=2A, 12V=1.65A
11. USB-A OUTPUT: 5V=3A, 9V=2A, 12V=2A
12. SAFETY DESIGN: BUILT-IN SMART IC CHIP. PROTECT THE DEVICE FROM OVER-VOLTAGE, OVER-HEATING, OVER-LOAD OR SHORT-CIRCUIT

**UK
CA**



PART No. A813
SINGLE

DIMENSIONS



PART No. A814
PLATE



PART No. A815
POD

For further information please contact us at

01274 650330

ales@autosound.co.uk | www.autosound.co.uk

1500 Street, Duffley Hill, Bradford, West Yorkshire, BD4 9PQ, UK